

1150EVO



TrenchIntel

**TrenchIntel
DGPS guidance system:**
Extra high precision 3D GPS system
Automatic depth and grade control
Autosteering to a predefined path
Pass optimization and fleet control



TrenchTronic

**TrenchTronic 5.0
Electronic Control with:**
Operator selectable digging
pressure and automatic operation
Fully automatic operation
Remote diagnostic system



Remote Monitoring Systems

**Re.M
Remote Control with:**
Machine data remote monitoring
Fleet location management
Troubleshooting information
Operating conditions



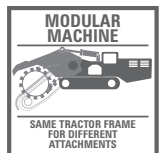
TRENCHING DIMENSIONS

0-5'
0-152 cm

8"-16"
20-40 cm

FEATURES AND APPLICATIONS

Rocksaw trencher for long-distance fiber optic networks, electric cable projects and small diameter pipelines; the 1150EVO is a high performance rock-cutter featuring a saw cutting up to 5' (152 cm) deep and 16" (40 cm) wide. TrenchTronic 5.0 equipped.



UNDERGROUND POWERLINES
INSTALLATION



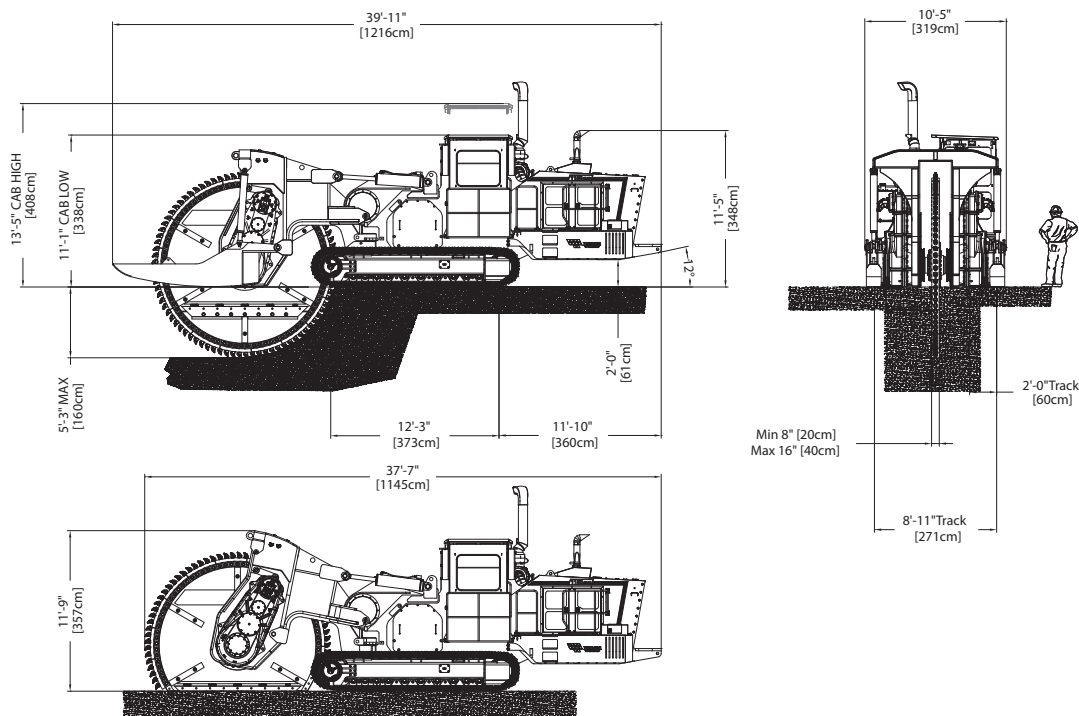
LONG DISTANCE NETWORKS
INSTALLATION



OPTICAL FIBER INSTALLATION



UNDERGROUND CONNECTION
NETWORKS INSTALLATION



1150EVO ROCKSAW TECHNICAL SPECIFICATIONS

Standard Features

Pressurized cab with air conditioning, heating, sound suppression

Elevating cab module with Roll-Over Protective Structure (ROPS) and Falling Object Protective Structure (FOPS)

Electrical system: 24 V

Stabilizers with adjustable drags

Fuel and hydraulic tank: aircraft quality locking caps

Gearboxes, fuel and hydraulic tanks: pressurized with 5 psi (0.3 bar) filtered breathers

Vibration isolator mounts: used on engine, radiator, oil cooler, exhaust silencer and cab

Cab and compartment security locks

Trenching Dimensions

Max depth.....5' (152 cm)

Widths range.....8"-16" (20-40 cm)

Note: dependent on configuration and options

Engine

HIGHLY REGULATED COUNTRIES (EU, USA)

Model.....Cummins X12 EPA Tier 4 final/ Stage V

Max horsepower.....451 hp (336 kW)

Max no load rpm.....1.850 rpm

Fuel tank capacity.....358 gal (1355 l)

Urea tank capacity.....30 gal (113 l)

Fuel consumption.....21,5 gal/hr (81 l/hr) at full load

Estimated max urea consumption at full load.....

.....4% of fuel consumption

Cooling rating adequate for 122° F (50° C) ambient air temperature

Air cleaner: dry type, 2 stages with pre-cleaner and automatic dust ejection

LESSER REGULATED COUNTRIES

Model.....CAT C13 ACERT Tier 3

Max horsepower.....440 hp (328 kW)

Max no load rpm.....2.100 rpm

Fuel tank capacity.....324 gal (1.230 l)

Fuel consumption.....23 gal/hr (87 l/hr) at full load

Cooling rating adequate for 122° F (50° C) ambient air temperature

Air cleaner: dry type, 2 stages with pre-cleaner and automatic dust ejection

Operating and Transport Weight

Weight.....128,749-132,717 lbs (58.400-60.200 kg)

Ground pressure..... 18.6-19.1 psi (1.30-1.34 kg/cm²)

Note: dependent on configuration and options

Trencher Drive

Hydrostatic: two pumps and two motors capable of transmitting full engine horsepower in the rockwheel speed range from 410 FPM (125 m/min) up to 820 FPM (250 m/min)

Flywheel gearboxes: shaved, helical gearing case hardened for extreme shock load

Infinitely variable drum speed: 0-820 FPM (0-250 m/min)

Cutters: rotary carbide tipped 1-1/2" (3,8 cm) shank diameter, 3" (7,62 cm) gage

Rockwheel tip diameter: 13'6" (411,5 cm) foldable for transport

Crawler Drive

Dual path, hydrostatic drive, planetary transmissions capable of full counter rotation with single lever steering, single lever direction

Infinitely variable speed: forward and reverse

- High range.....0-2.05 mph (0-3,3 km/hr)
- Low range.....0-0.93 mph (0-1,5 km/hr)

Integral parking and service brake: spring applied, hydraulic release, wet disc brake

Tracks

Overall track length.....12' 5" (378 cm)

Track pad type: single, double or triple grouser

Track chain type: Caterpillar 42/325 or equivalent

Track pad width.....1' 11" (60 cm)

Hydraulic Transmission

Pressure and flow compensated (Load sensing)

Auxiliary pump flow maximum.....66 gpm (250 l/min)

Auxiliary pressure setting.....2.500 psi (172 bar)

Oil tank capacity.....104 gal (394 l)

Transport Dimensions

Length.....37' 7" (1.145 cm)

Width.....10' 3" (314 cm)

Height over wheel w/wheel folded.....11' 9" (357 cm)

Main Available Devices

Ask Tesmec for a complete devices list